



*Model XT/G-6AL/E Portable Rectangular Table
with Hot-Dip Galvanized Frames, 8 Ft. long top and 6 Ft. long seats
with 2" x 10" Aluminum planks.*

- **Designed for heavy use areas**
- **One end of top extended two feet to provide ADA recommended wheelchair clearance**
- **Nontip, nontrip, walk-through design**
- **All-welded end frames are fabricated from 2.375" diameter steel pipe**
- **Die-formed center channel under table top to support and align top planks**
- **Diagonal bracing for strength and rigidity**
- **Frames are hot-dip galvanized after fabrication for superior corrosion resistance**
- **Seats and Top are Aluminum with a clear anodized maintenance free finish**
- **Limited Lifetime Warranty on frames**

AVAILABLE OPTIONS

6' and 8' lengths

Powder Coat Finish in choice of colors for steel frame components

Powder Coat Finish in choice of colors for Aluminum top and seats

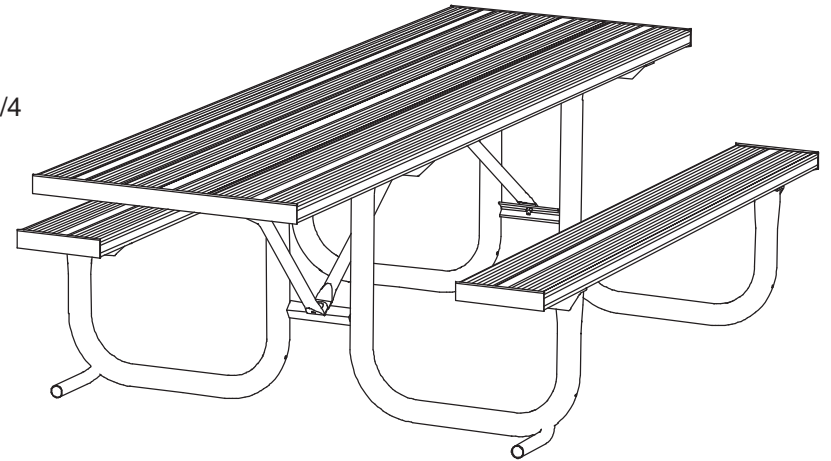
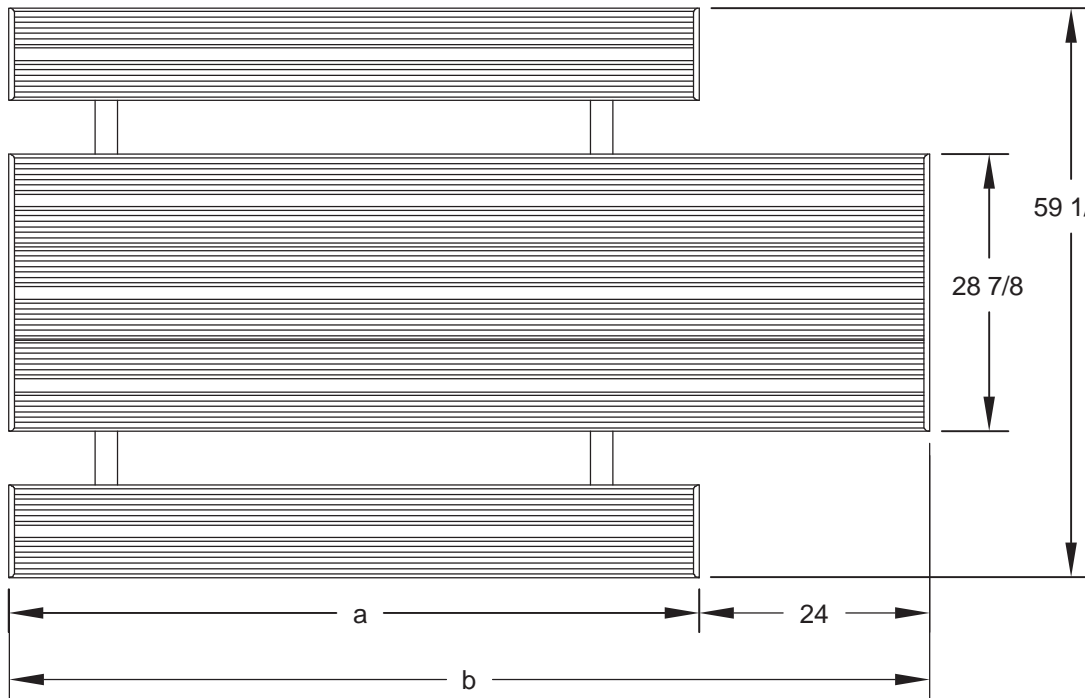
SPECIFICATIONS:

- **XT Series** end frames are one-piece welded construction, fabricated from 2.375" (2-3/8" O.D.) steel pipe to meet 2" nominal steel pipe size specifications with 2" x 2" x 1/8" die formed steel angle for attaching the seats and tops. "Outriggers" are attached to the frame on the extended end of the table for added stability.
- Table top extends 2 ft. beyond seats (indicated by "E" in model no., e.g. XT/G-6AL/E) to provide the ADA recommended wheelchair clearances of: 30" wide, 27" under table (ground to bottom of table top), and 24" total knee and toe clearance (19" + 5").
- A diagonal brace of 1-5/16" O.D. steel pipe and a die-formed steel channel is provided to support extended portions of table top.
- **Model XT/G-6AL/E** has a nom. 8 ft. long top and 6 ft. long seats. Includes frame stabilizing outriggers.
- **Model XT/G-8AL/E** has a nom. 10 ft. long top and 8 ft. long seats. Includes frame stabilizing outriggers.
- Frames are supported by diagonal braces of 1-5/16" O.D. steel pipe that connect to a die-formed steel channel designed to align and provide attachment to the table top.
- All galvanized fasteners are provided for assembly.
- **Standard:** All steel frame components are hot-dip galvanized after fabrication to ASTM-A123 to maintain an average zinc coating of 2.0 oz. per sq. ft. of surface area (indicated by "/G" in model no., e.g. XT/G-6AL/E).
- Aluminum is extruded 6063-T6 aluminum alloy in planks with dimensions equivalent to that of 2" x 10" nominal sized lumber. The plank design is 1-3/4" x 9-5/8" with four structural reinforcement ribs for greater rigidity. Aluminum planks are provided with a clear anodized finish as per anodizing specification 204 R1. Aluminum clips to fasten planks to frames are included.
- Channel end caps are of extruded 6063-T6 aluminum alloy provided with a clear anodized finish as per anodizing specification 204 R1. End caps are press fitted over ends of aluminum planks and mechanically fastened in place at the factory.
- Table top is assembled into single unit at the factory with one-piece end caps across each end.
- **Optional:** All steel frame components are powder coat finish. See Specification Bulletin #SPC-CO-001.
- **Optional:** Aluminum top and seats are powder coat finish. See Specification Bulletin #SPC-CO-001.

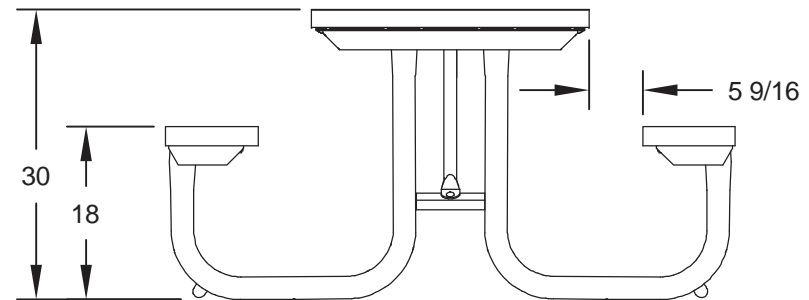
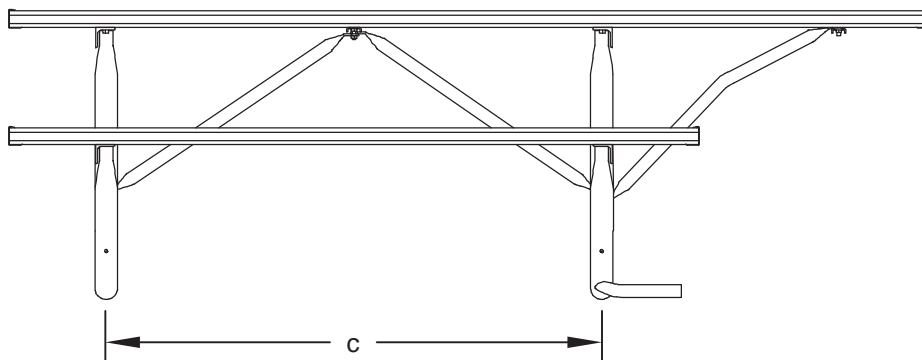
RJ Thomas Mfg. Co., Inc.

PO Box 946 • Cherokee, IA 51012-0946 • PH: 712-225-5115 • 800-762-5002 • FAX: 712-225-5796
E-mail: pilotrock@rjthomas.com • Web Site: <http://www.pilotrock.com>

© 2017 RJ Thomas Mfg. Co., Inc. PILOT ROCK® Park Products is a registered trademark of RJ Thomas Mfg. Co., Inc.



MODEL NUMBER	DIMENSION			STABILIZING OUTRIGGERS
	a	b	c	
XT-6/E	72	96	51-3/4	INCLUDED
XT-8/E	96	120	70	INCLUDED



ALL DIMENSIONS IN INCHES

RJThomas Mfg. Co., Inc.
P.O. Box 946 • Cherokee, IA 51012-0946

DRAWN BY
WWM

TITLE XT SERIES 6 AND 8 FOOT WHEELCHAIR ACCESSIBLE PORTABLE RECTANGULAR TABLE EXTENDED ON ONE END WITH ALUMINUM TOP AND SEATS

DATE 2-10-11

DWG. NO. AI-1690